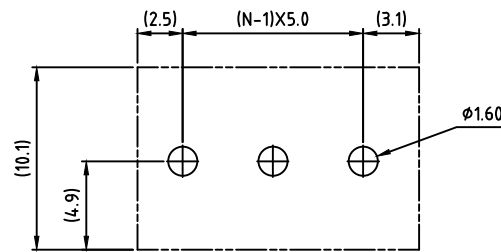
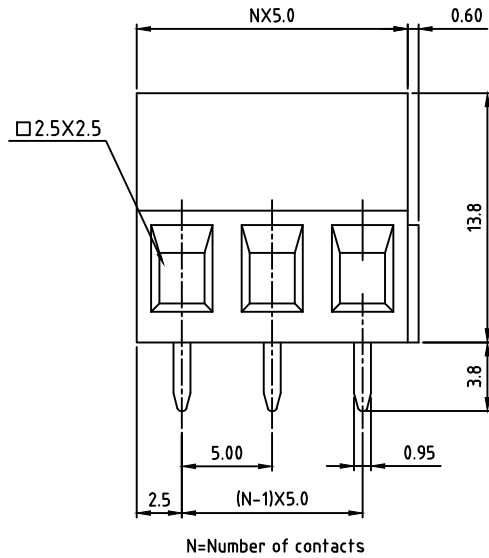
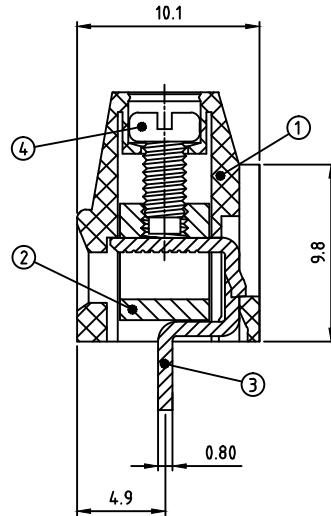
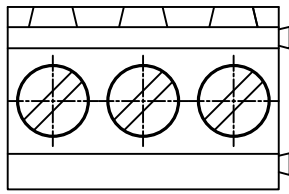


SPECIFICATIONS

- Voltage Rating: 300 VAC
- Current Rating: 10 Amps
- Wire Strip Range: 6-7mm
- Dielectric withstanding: 1.6KV
- Wire Range: 12-24 AWG
- Operating Temperature: -40°C~+115°C
- Max Processing Temp: 250°C±10°C for 5 seconds
- ② Clamp: Brass, Tin Plated
- ④ Terminal Screw: Steel, Zinc Plated, "-" Slot Type
- ③ Solder Pin: Brass with Tin Plated
- ① Insulator Material: Thermoplastic UL 94V-0
- Torque: 3.5in-lb
- Screw: M2.5
- Safety Approval: us



P.C.B LAYOUT

TBBW- xx JAxJ-FG

- 02 2 CONTACTS
- 03 3 CONTACTS
-
- 24 24 CONTACTS

FG: RoHS Compliant
PB<40000ppm

- J: Black(RAL9005)
- E: Green(RAL6018/T)
- F: Blue(RAL5015/A)
- H: Grey(RAL7035/D)

APTOS Technology CONFIDENTIAL
This document, and all information it contains, are the confidential, proprietary property of APTOS Technology. Disclosure, duplication or distribution of this document, or any information it contains, in whole or part, without prior written permission from APTOS Technology is strictly prohibited

Poles	02	03	04	05	06	07	08	09	10	11	12	13
Dim A	10.00	15.00	20.00	25.00	30.00	35.00	40.00	45.00	50.00	55.00	60.00	65.00
Dim B	5.00	10.00	15.00	20.00	25.00	30.00	35.00	40.00	45.00	50.00	55.00	60.00
Tolerance	±0.15					±0.20					±0.30	
Poles	14	15	16	17	18	19	20	21	22	23	24	
Dim A	70.00	75.00	80.00	85.00	90.00	95.00	100.00	105.00	110.00	115.00	120.00	
Dim B	65.00	70.00	75.00	80.00	85.00	90.00	95.00	100.00	105.00	110.00	115.00	
Tolerance	±0.30					±0.40						

GENERAL TOLERANCE UNLESS OTHERWISE SPECIFIED	
XXX. ± X	.XX ± 0.10
XX. ± X	.XXX ± X
X. ± 0.50	X' ± 1"
.X ± 0.30	.X' ± 1"
REV. D	DRAWN
DATE 06/29/2017	CHECKED
SCALE As shown	APPROVED
UNIT mm	

AP APTOS TECHNOLOGY

01/25/07

TBBW Series

5.00 mm Terminal Block - 1st Level

PRODUCT NO. TBBW-XXJAXJ-FG

FILE NAME: TBBW-XXJAXJ-FG LF APD.DWG